

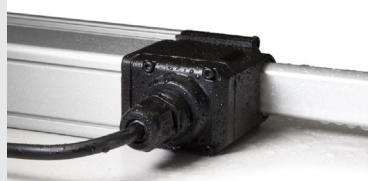
S80 RWA



Linear stem actuator
Thrust force 800N
Adjustable stroke max. 400 mm

PRODUCT DESCRIPTION

Linear electric actuator Topp model S80 with self-aligning tilting movement, complete with support and fitting accessory for top hung windows or sun blades and louvers. Operation at 24V DC. Max. traction and thrust force 800N. Preset for the synchronous operation of two actuators on the same window. Available strokes: 200 - 400 mm. IP65 protection degree. CE marked device, tested in accordance with the EN12101-2 Standard for smoke ventilation applications.



High degree of protection against dust and water IP65.



Stem highly resistant to heavy loads.



Millimetrically adjustable stroke.

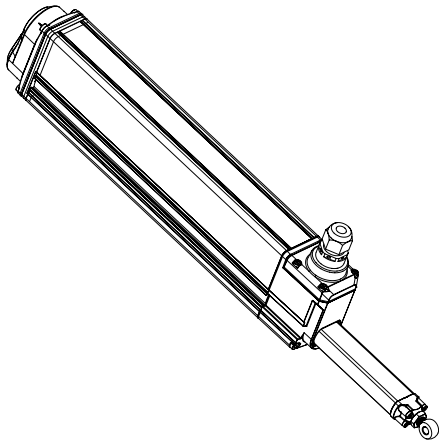


TECHNICAL SPECIFICATIONS

S80 RWA

| | |
|--|---------------------------------|
| Power Supply voltage * | 24V d.c. |
| Maximum load applicable in thrust | 800 N |
| Maximum applicable load in traction | 800 N |
| Strokes | 200 - 400 mm |
| Absorbed current | 1A |
| Idle translation speed | 6,5 mm/s |
| Duration of the idle stroke | (stroke/idle translation speed) |
| Double insulated | YES |
| Service type | S2 of 3 min |
| Operating temperature | -20°C + 60°C |
| Protection class | IP 65 |
| Parallel connection | YES |
| Synchronous operation of more actuators on the same window | YES |
| Stroke end | mechanical / electronic |

* power supply cable not included



S80 standard 1 push point

| | |
|---------|---|
| 3B20020 | S80 linear stem actuator 24V RWA stroke 200mm |
| 3B20022 | S80 linear stem actuator 24V RWA stroke 200mm (louvers) |
| 3B20021 | S80 linear stem actuator 24V RWA stroke 400mm |
| 3B20023 | S80 linear stem actuator 24V RWA stroke 400mm (louvers) |

Note: feeding cable not included

Description of the standard 1 push point pattern for top-hung windows

| | |
|---------|--|
| 3B20021 | S80 linear stem actuator 24V RWA stroke 400mm |
| | Actuator supporting bracket for top hung windows |
| | Fitting bracket to the frame |
| | Spare parts for top hung windows |

Description of the standard 1 push point pattern for louvers

| | |
|---------|---|
| 3B20022 | S80 linear stem actuator 24V RWA stroke 200mm |
| | Actuator supporting bracket for louvers |
| | Spare parts for louvers |

Accessories and spare parts

| | |
|--------|--|
| 1B2801 | Actuator supporting bracket for top hung windows |
| 1B2802 | Actuator supporting bracket for louvers |
| 1S1604 | Fitting bracket to the frame |
| 3B2001 | Spare parts for top hung windows |
| 3B2002 | Spare parts for louvers |
| 1B2121 | Feeding cable for synchronization (2m) |

